

## Handling System for Dishwasher Mobile roller conveyors

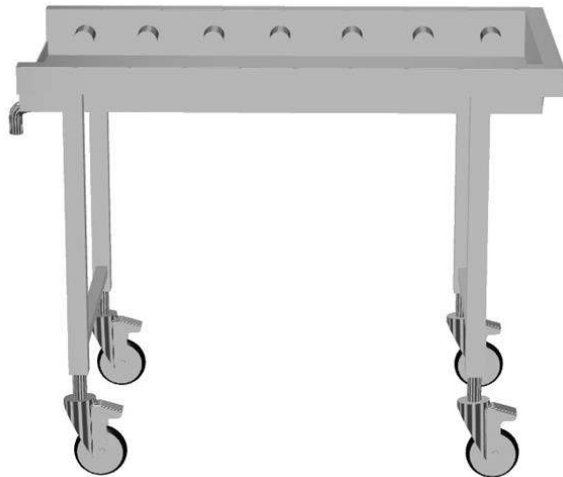
ITEM # \_\_\_\_\_

MODEL # \_\_\_\_\_

NAME # \_\_\_\_\_

SIS # \_\_\_\_\_

AIA # \_\_\_\_\_



865200 - 863052 - 863053 - 863054 - 863055 - 865201 -  
863056 - 863057 - 863058 - 863059 - 865202 - 863060 -  
863061 - 863062 - 863063 - 863064

### Main Features

- Designed to transport 500x500 mm dishwashing baskets.
- “Click-in” connection to the dishwasher curve.
- Four legs included with swivel type casters plus “click-in” connection to the dishwasher curve easily removable for quick access. Two casters equipped with brakes to stabilize the position of the conveyor during normal operation.
- The table can be used in unloading side.
- Manual rack movement with short rollers.
- Supplied knocked-down and easy to assemble.
- Connection of mobile conveyors after a 180° dishwasher driven curve.
- End limit switch and end plate included.
- Connection of end-limit switch to the dishwasher.

### Construction

- All surfaces smooth with polished finish.
- AISI 304 1,2mm stainless steel basin.
- 40x40mm stainless steel tubular and square legs.
- Conveyors optionally equipped with guides for racks and plain shelves.
- Swivel type 125 mm castors, of which 2 with brakes.
- Sloping drain below the conveyor leads to the central draining point with a connected dishwasher curve.

### Sustainability

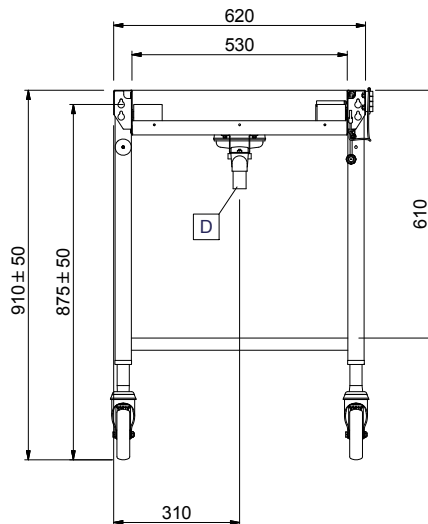
- The mobile roller conveyor available form 1145mm (for 2 racks) up to 2645mm (for 5 racks) with 100mm-step length.

APPROVAL: \_\_\_\_\_

**Front**



**Side**



**Top**



**Key Information:**

**External dimensions, Width:**

865200 (HSSRC11M)	1145 mm
863052 (HSSRC12M)	1200 mm
863053 (HSSRC13M)	1300 mm
863054 (HSSRC14M)	1400 mm
863055 (HSSRC15M)	1500 mm
865201 (HSSRC16M)	1645 mm
863056 (HSSRC17M)	1700 mm
863057 (HSSRC18M)	1800 mm
863058 (HSSRC19M)	1900 mm
863059 (HSSRC20M)	2000 mm
865202 (HSSRC21M)	2145 mm
863060 (HSSRC22M)	2200 mm
863061 (HSSRC23M)	2300 mm
863062 (HSSRC24M)	2400 mm
863063 (HSSRC25M)	2500 mm
863064 (HSSRC26M)	2600 mm

**External dimensions, Depth:**

620 mm

**External dimensions, Height:**

910 mm

**Net weight:**

865200 (HSSRC11M)	21 kg
863052 (HSSRC12M)	22 kg
863053 (HSSRC13M)	22.71 kg
863054 (HSSRC14M)	24 kg
863055 (HSSRC15M)	25 kg
865201 (HSSRC16M)	26 kg
863056 (HSSRC17M)	27 kg
863057 (HSSRC18M)	28 kg
863058 (HSSRC19M)	29 kg
863059 (HSSRC20M)	30 kg
865202 (HSSRC21M)	31 kg
863060 (HSSRC22M)	32 kg
863061 (HSSRC23M)	33 kg
863062 (HSSRC24M)	34 kg
863063 (HSSRC25M)	35 kg
863064 (HSSRC26M)	36.1 kg

**Height adjustment:**

50/50 mm

**Basin material:**

Stainless Steel AISI 304 - EN 1.4301

**Type of rollers:**

Short



# Handling System for Dishwasher

## Mobile roller conveyors

Optional Accessories

	865200	863052	863053	863054	863055	865201	863056	863057	863058	863059	865202	863060	863061	863062	863063	863064
863090 - Plain undershelf for mobile roller conveyor, 1245 mm		✓	✓	✓	✓	✓	✓	✓	✓	✓	✓	✓	✓	✓	✓	✓
863091 - Plain undershelf for mobile roller conveyor, 1345 mm			✓	✓	✓	✓	✓	✓	✓	✓	✓	✓	✓	✓	✓	✓
863092 - Plain undershelf for mobile roller conveyor, 1445 mm				✓	✓	✓	✓	✓	✓	✓	✓	✓	✓	✓	✓	✓
863093 - Plain undershelf for mobile roller conveyor, 1545 mm					✓	✓	✓	✓	✓	✓	✓	✓	✓	✓	✓	✓
863094 - Plain undershelf for mobile roller conveyor, 1745 mm							✓	✓	✓	✓	✓	✓	✓	✓	✓	✓
863095 - Plain undershelf for mobile roller conveyor, 1845 mm								✓	✓	✓	✓	✓	✓	✓	✓	✓
863096 - Plain undershelf for mobile roller conveyor, 1945 mm									✓	✓	✓	✓	✓	✓	✓	✓
863097 - Plain undershelf for mobile roller conveyor, 2045 mm										✓	✓	✓	✓	✓	✓	✓
863098 - Plain undershelf for mobile roller conveyor, 2245 mm												✓	✓	✓	✓	✓
863099 - Plain undershelf for mobile roller conveyor, 2345 mm													✓	✓	✓	✓
863100 - Plain undershelf for mobile roller conveyor, 2445 mm														✓	✓	✓
863101 - Plain undershelf for mobile roller conveyor, 2545 mm															✓	✓
863102 - Plain undershelf for mobile roller conveyor, 2645 mm																✓
863116 - Grid undershelf for mobile roller conveyor, 1245 mm		✓	✓	✓	✓	✓	✓	✓	✓	✓	✓	✓	✓	✓	✓	✓
863117 - Grid undershelf for mobile roller conveyor, 1345 mm			✓	✓	✓	✓	✓	✓	✓	✓	✓	✓	✓	✓	✓	✓
863118 - Grid undershelf for mobile roller conveyor, 1445 mm				✓	✓	✓	✓	✓	✓	✓	✓	✓	✓	✓	✓	✓
863119 - Grid undershelf for mobile roller conveyor, 1545 mm					✓	✓	✓	✓	✓	✓	✓	✓	✓	✓	✓	✓
863120 - Grid undershelf for mobile roller conveyor, 1745 mm							✓	✓	✓	✓	✓	✓	✓	✓	✓	✓
863121 - Grid undershelf for mobile roller conveyor, 1845 mm								✓	✓	✓	✓	✓	✓	✓	✓	✓
863122 - Grid undershelf for mobile roller conveyor, 1945 mm									✓	✓	✓	✓	✓	✓	✓	✓
863123 - Grid undershelf for mobile roller conveyor, 2045 mm										✓	✓	✓	✓	✓	✓	✓
863124 - Grid undershelf for mobile roller conveyor, 2245 mm												✓	✓	✓	✓	✓
863125 - Grid undershelf for mobile roller conveyor, 2345 mm													✓	✓	✓	✓
863126 - Grid undershelf for mobile roller conveyor, 2445 mm														✓	✓	✓
863127 - Grid undershelf for mobile roller conveyor, 2545 mm															✓	✓
863128 - Grid undershelf for mobile roller conveyor, 2645 mm																✓
865223 - Guide rack for 4 dishwasher baskets, 1100 mm - 1500 mm	✓	✓	✓	✓	✓	✓	✓	✓	✓	✓	✓	✓	✓	✓	✓	✓
865224 - Guide rack for 8 dishwasher baskets, 1600 mm - 2000 mm						✓	✓	✓	✓	✓	✓	✓	✓	✓	✓	✓
865225 - Guide rack for 12 dishwasher baskets, 2100 mm - 2500 mm											✓	✓	✓	✓	✓	✓
865226 - Guide rack for 16 dishwasher baskets, 2600 mm																✓
865227 - Plain undershelf for mobile roller conveyor, 1145 mm	✓	✓	✓	✓	✓	✓	✓	✓	✓	✓	✓	✓	✓	✓	✓	✓
865228 - Plain undershelf for mobile roller conveyor, 1645 mm						✓	✓	✓	✓	✓	✓	✓	✓	✓	✓	✓
865229 - Plain undershelf for mobile roller conveyor, 2145 mm											✓	✓	✓	✓	✓	✓
865235 - Connection bracket for plain undershelf and grid undershelves (to be used if roller conveyor is connected directly to Rack Type dishwasher with splash hood)	✓	✓	✓	✓	✓		✓	✓	✓	✓	✓	✓	✓	✓	✓	✓
865240 - Grid undershelf for mobile roller conveyor, 1145 mm	✓	✓	✓	✓	✓	✓	✓	✓	✓	✓	✓	✓	✓	✓	✓	✓
865241 - Grid undershelf for mobile roller conveyor, 1645 mm						✓	✓	✓	✓	✓	✓	✓	✓	✓	✓	✓
865242 - Grid undershelf for mobile roller conveyor, 2145 mm											✓	✓	✓	✓	✓	✓

Handling System for Dishwasher  
Mobile roller conveyors

The company reserves the right to make modifications to the products without prior notice. All information correct at time of printing.

